



**MEGADYNE**



# **MEGASYNC™ RUBBER TIMING BELTS**

PRODUCT  
BROCHURE

EN

# WE ARE **MEGADYNE**

Megadyne MANUFACTURES a full line of power transmission belting solutions for industrial distribution and original equipment manufacturers (OEMs). We are a GLOBAL LEADER in rubber and polyurethane synchronous belts, engineered belts and V-belts. Megadyne is a member of the AMMEGA Group.

—We Make Your Business Move!



**9**



FACTORIES IN EUROPE,  
ASIA AND AMERICA

**+170**



COMMERCIAL LOCATIONS

**+2400**



EMPLOYEES

**3**



DISTRIBUTION HUBS

## OUR SOLUTIONS

Our customers are original equipment manufacturers and aftermarket distributors, for whom we deliver a large range of products. Our offering includes thermoset and thermoplastic polyurethane belts, rubber timing and V-belts, flat belts, multi-rib belts, specialty belts, pulleys, clamping plates, timing bars and complementary products, including custom-made.

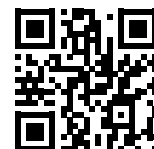


## ENERGY EFFICIENT BELT DRIVES

Synchronous belts provide a 98% drive efficiency over heavy-duty classical belts which on average afford 92% efficiency. Therefore, upgrading to synchronous belts is a "Best Practice" in reducing energy consumption.

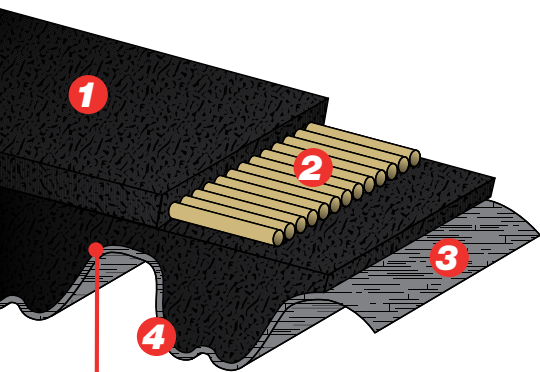


**FOR MORE INFORMATION AND  
OUR FULL PRODUCT RANGE,  
PLEASE SCAN BELOW:**



# MEGASYNC™ TITANIUM

ULTRA HIGH-TORQUE



The MEGASYNC™ Titanium belt is made with the most innovative materials of the highest quality. The extensive development and tests performed have resulted in a synchronous belt that has:

- 1. COMPOUND**  
HNBR rubber
- 2. CORD**  
100% carbon fiber
- 3. TOOTH FACING**  
High performance fabric with special anti-friction treatment
- 4. TOOTH PROFILE**  
RPC

## PERFORMANCE:

RPC profile achieves a high-power capacity drive with excellent dimensional stability and a fully-functional interchange with all of the most common existing deep pulley tooth profile systems.

## FEATURES & BENEFITS:

- Tooth Pitch Codes: TTM8 and TTM14
- Compound: HNBR rubber
- Cord: 100% Carbon Fiber
- Tooth Facing: High performance fabric with special anti-friction treatment
- Operating Temperatures: -40 °C up to +120 °C (Max peak: +140 °C)
- Antistatic, according to ISO 9563
- Available in any width

## PART NOMENCLATURE:

### 3500TTM14M65

- 3500** = Pitch length (mm)
- TTM** = Titanium
- 14M** = Tooth pitch (14mm)
- 65** = Belt width (mm)

# MEGASYNC™ GOLD

SUPER HIGH-TORQUE



MEGASYNC™ Gold has been developed to provide a more powerful version of RPP and Silver belts. It is suitable for a very wide range of applications in power transmission. This type of belt combines the advantages of gears and roller chain drives, minimizing the drawbacks of both.

Gold belts feature the RPP profile, designed also to be interchangeable with existing deep groove profiles and to run on pulleys according to ISO 13050.

## FEATURES & BENEFITS:

- Tooth Pitch Code: GLD 8M and GLD 14M
- RPP tooth profile, known for its low-noise characteristics
- Cord: Higher power capacity Fiberglass Cords with excellent dimensional stability
- Compound: high-performance compound gives oil and heat resistance
- Tooth Cover: graphite impregnated Double Nylon Tooth Cover provides low friction and durability
- Antistatic properties: conforms to ISO 9563 (BS 2050) standard
- Operating temperatures: 25 °C up to +80 °C (Max peak: 100 °C)
- Available in any width

## PART NOMENCLATURE:

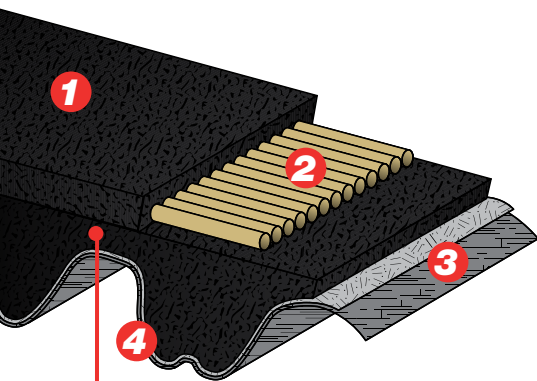
### 1800GLD8M50

**1800** = Pitch length (mm)

**GLD** = Gold

**8M** = Tooth pitch (8mm)

**50** = Belt width (mm)



The MEGASYNC™ Gold belt is made with premium materials. The extensive development and tests performed have resulted in a synchronous belt that has:

- 1. COMPOUND**  
High-performance Chloroprene
- 2. CORD**  
High-performance Fiberglass
- 3. TOOTH FACING**  
Dual Layer Nylon — self-lubricating, low friction, extended life
- 4. TOOTH PROFILE**  
RPP

# MEGASYNC™ SILVER2

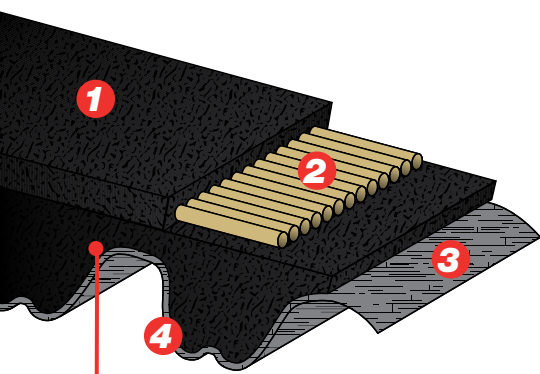
EXTRA HIGH-TORQUE

**MEGADYNE MEGASYNC**  **Silver2**

MEGASYNC™ Silver2 offers a higher power rating up to +50% over the existing Silver belt range and a wealth of improved properties at the same price. Retaining the RPP tooth profile of the current Silver, the new Silver2 continues to give full functional interchangeability with other deep profile systems. The existing RPP or Silver systems can be upgraded without replacing the pulleys. In addition, due to improved performance, the more compact dimension optimises space utilisation and cost for all new drive systems.

## FEATURES & BENEFITS:

- Tooth Pitch Code: SLV2 8M and SLV2 14M
- RPP tooth profile, known for its low-noise characteristics
- Cord: Increased load capacity over previous Silver construction
- Upgrades drive capacity with existing sprockets
- Antistatic properties: conforms to ISO 9563 (BS 2050) standard
- Operating temperatures: -25 °C up to +80 °C (Max peak: 100 °C)
- Available in any width



The MEGASYNC™ Silver2 belt is made with premium materials. The extensive development and tests performed have resulted in a synchronous belt that has:

- 1. COMPOUND**  
Fiber loaded nitrile
- 2. CORD**  
Fiberglass
- 3. TOOTH FACING**  
Nylon Fabric — self-lubricating, low friction, extended life
- 4. TOOTH PROFILE**  
RPP

## PART NOMENCLATURE:

### 1800SLV2-8M50

**1800** = Pitch length (mm)

**SLV2** = Silver2

**8M** = Tooth Pitch (8mm)

**50** = Belt width (mm)



# MEGASYNC™ RPP

## HIGH-TORQUE

### FEATURES & BENEFITS:

- Tooth Pitch Codes: RPP3, RPP5, RPP8, and RPP14
- Compound: Chloroprene
- Cord: Fiberglass
- Tooth Cover: Nylon
- Tooth Profile: RPP - HTB available on request
- Operating Temperatures: -25 °C up to +80 °C
- Available in any width



# STANDARD TIMING BELTS

## TRAPEZOIDAL TOOTH

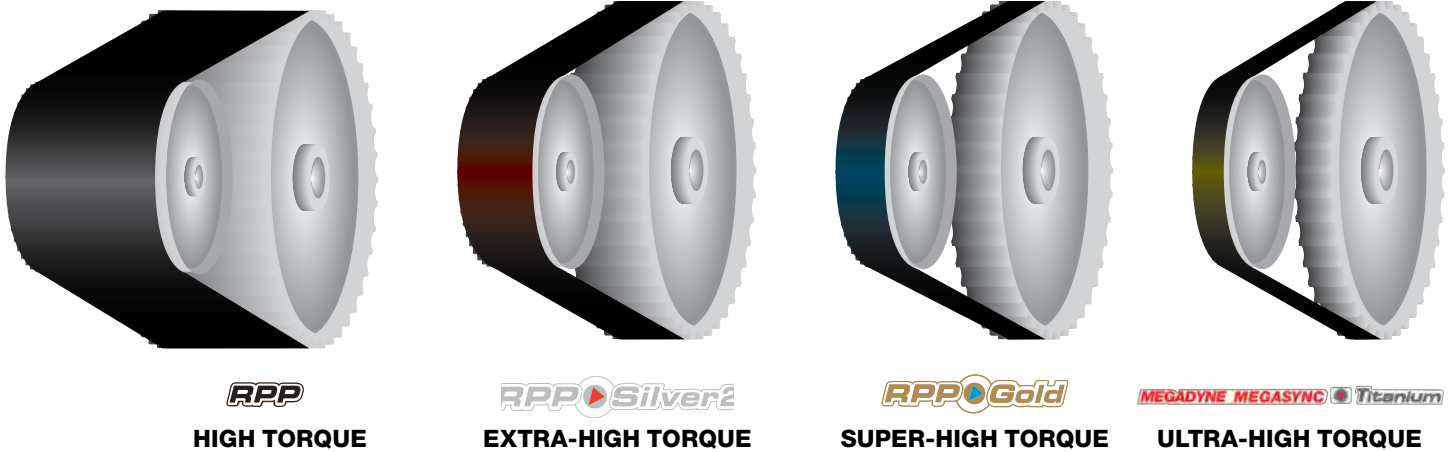
### FEATURES & BENEFITS:

- Tooth Pitch Codes: MXL, XL, L, H, XH, XXH
- Compound: Chloroprene
- Cord: Fiberglass
- Tooth Cover: Nylon
- Tooth Profile: Trapezoidal
- Operating Temperatures: -25 °C up to +80 °C
- Available in any width

# PERFORMANCE

## WIDTH INDEX

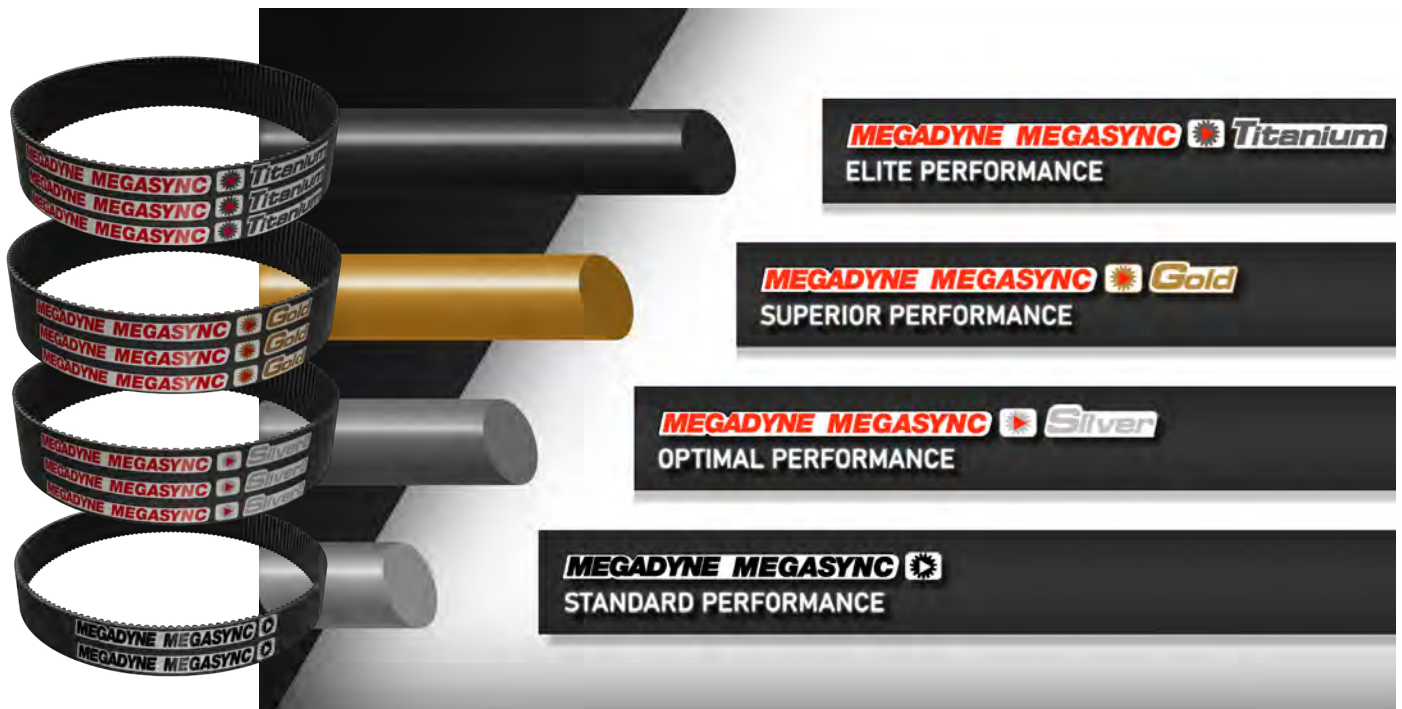
Higher performance belt = narrower drive



Drives pictured above are for demonstration purposes only. From left to right, MEGADYNE MEGASYNC™ RPP to Titanium conveys a reduction in total drive cost: belts, sprockets, weight and bearing hub load, plus more efficiency, lower noise and less energy consumption.

# PERFORMANCE

## COMPARISON INDEX



This image illustrates a power comparison of belts that are equal width. MEGADYNE MEGASYNC™ Titanium belts are up to 6x the rated horse power capacity of standard RPP belts. The above examples are for illustrative purposes only.

MEGADYNE MEGASYNC™  
RUBBER TIMING BELTS

# Discover Your Local Contacts

The local partner of choice  
for sustainable power transmission belting solutions  
around the globe.

**General contact information:**

**Megadyne**

Via Trieste, 16  
Via S. Lucia 114 - 10075 Mathi (Torino)  
Italy



Scan the QR code  
and find your local  
contact

